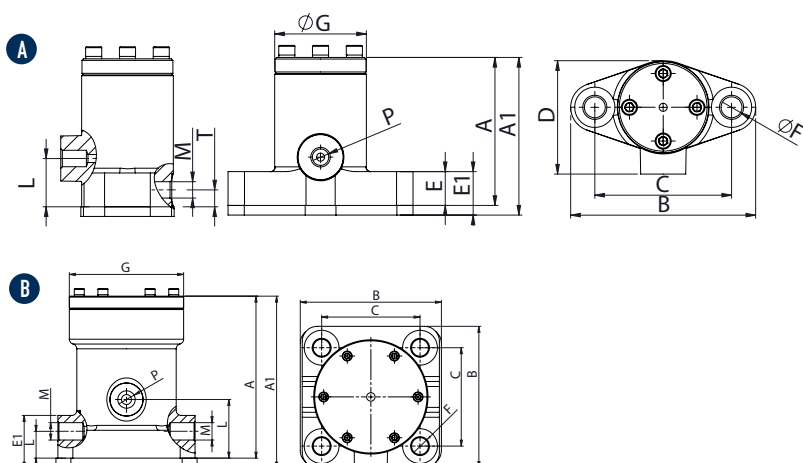




P - Linear pneumatic vibrators - Continuous impact



DIMENSIONAL SPECIFICATIONS

MODEL	DRAW.	A		A1		B		C		D		E		E1		F		G		H		P	L		M		N		WEIGHT	
		mm	in	mm	in	mm	in	mm	in	mm	in	mm	in	mm	in	mm	in	mm	in	mm	in	IN BSPP	mm	in	OUT BSPP	mm	in	kg	lb	
P25	A	92	3.6	98	3.9	115	4.5	85	3.3	70	2.8	21	0.8	27	1.1	13	0.5	58	2.3	30	1.2	1/4"	10	0.4	1/4"	25	1.0	2.2	4.9	
P40	A	121	4.8	127	5.0	148	5.8	110	4.3	91	3.6	25	1.0	31	1.2	17	0.7	75	3.0	45	1.8	3/8"	16	0.6	3/8"	35	1.4	4.5	9.9	
P60	B	163	6.4	173	6.4	138x142	5.4x5.5	99x99	3.9x3.9	125	4.9	28	1.1	38	1.5	17	0.7	115	4.5	60	2.4	1/2"	27	1.1	2x1/2"	60	2.4	11	24.3	

MODEL	2 bar (29 psi)								4 bar (58 psi)								6 bar (87 psi)							
	VIBRATION		FORCE		WORKING MOMENT		AIR CONSUMP.		VIBRATION		FORCE		WORKING MOMENT		AIR CONSUMP.		VIBRATION		FORCE		WORKING MOMENT		AIR CONSUMP.	
	V/min	N	lb	kgcm	inlb	l/min	Cfm	V/min	N	lb	kgcm	inlb	l/min	Cfm	V/min	N	lb	kgcm	inlb	l/min	Cfm			
P25	2500	294	66	0.43	0.37	55	1.9	3800	680	153	0.43	0.37	80	2.8	4500	954	214	0.43	0.37	125	4.4			
P40	1650	484	109	1.63	1.41	70	2.5	2200	860	193	1.63	1.41	120	4.2	2800	1396	314	1.63	1.41	150	5.3			
P60	1200	1296	291	4.11	3.57	100	3.5	1600	2304	518	4.11	3.57	250	8.8	1900	3250	731	4.11	3.57	300	10.6			

P - LINEAR PNEUMATIC VIBRATORS - CONTINUOUS IMPACT

APPLICATION Hopper silo - salt spreader - dump trailer - rail cart

POWDER Hygroscopic - humid - sticky

PROBLEM SOLVING Bridge and rat-holing

FEATURES

DUTY CYCLE Continuous

WORKING PRESSURE From 2 bar to 6 bar (from 29 psi to 87 psi)

PNEUMATIC CIRCUIT Filter + flow control valve + lubrication + 3/2 ways valve

AIR SUPPLY QUALITY Class 5.4.4.

WORKING TEMPERATURE ATEX From -20 °C to 110 °C (from -4 °F to 230 °F)

MAX NOISE LEVEL 100 dB(a)

TECHNOLOGY Piston pneumatic impact

MATERIAL Grey cast iron body (powder painted) - aluminium cover

OPTIONS

KIT ATEX II 2D C TX
II 2G C TX

SAFETY CHAIN Available



This information is furnished without warranty, representation, inducement or license of any kind. It is accurate to the best OLI knowledge or is obtained from sources believed to be accurate. OLI therefore assumes no legal responsibility.