



OZB PNEUMATIC ACTUATORS

PRECISION IN VALVE CONTROL

Unlock Efficiency

Elevate your valve control with OZB Pneumatic Actuators, designed to flawlessly regulate the opening and closing of valves, ensuring optimal performance across diverse applications.

Versatile Compatibility

Our actuators seamlessly couple with both butterfly and slide valves, offering a versatile solution for your control needs.

Options Tailored to You

Choose from manual, pneumatic, and electromotor actuators, providing flexibility in accordance with your operational preferences.

ACP PNEUMATIC ACTUATORS

ACP13

- Ideal for 100-300mm diameter butterfly valves.
- Supplied with cramayer gear and piston set for precision control.



ACP34

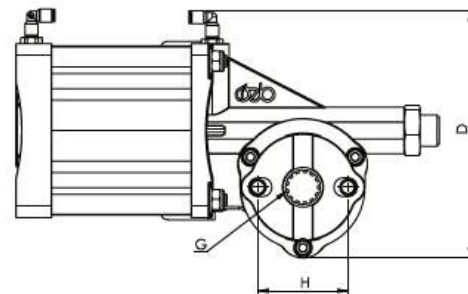
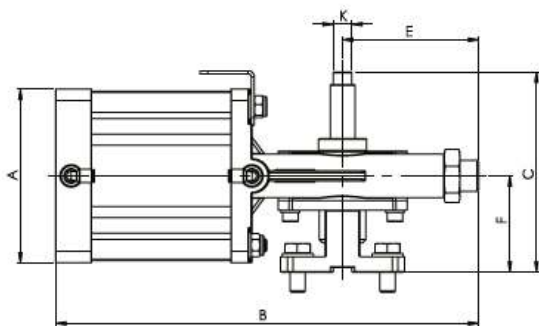
- Specially designed rod seal for extended service life and cost-effective operation.
- Double-acting piston and central assembly.
- Aluminium body construction.



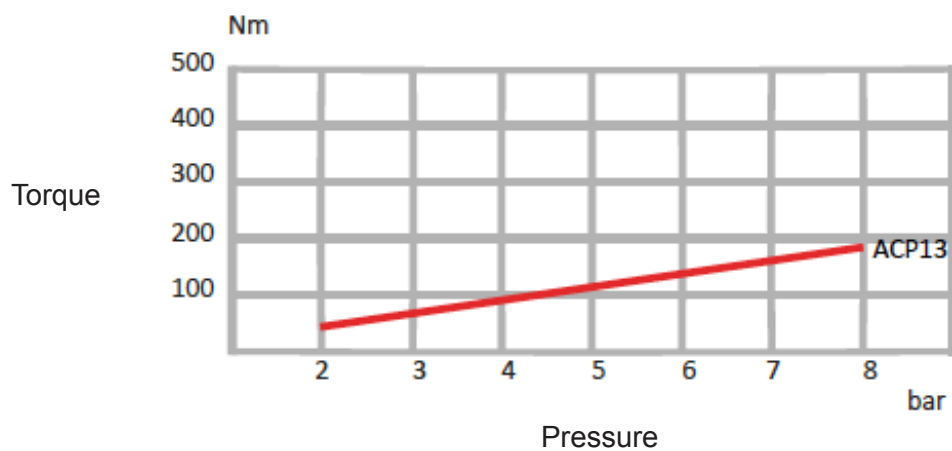
ABN: 35 139 258 816

PO Box 111, Charlestown NSW 2290
Unit 7/8 Kilcoy Drive, Tomago NSW 2322
P: 1300 026 011 | E: graham@bulkquip.com.au
www.bulkquip.com.au

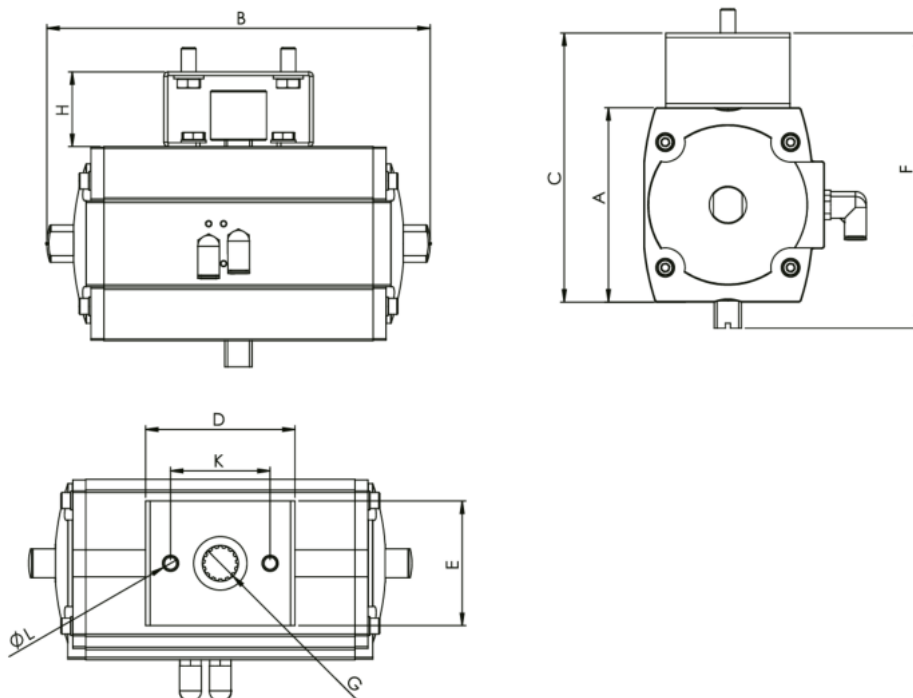
ACP13 PNEUMATIC ACTUATORS



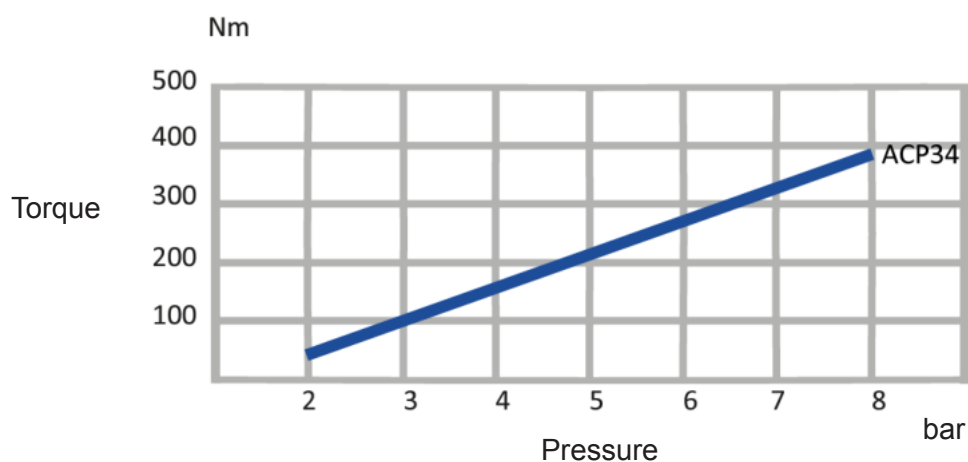
Type	A (mm)	B (mm)	C (mm)	D (mm)	E (mm)	G DIN 5482 (mm)	H (mm)	K (mm)	Air Consumption (cycle)	Weight (kg)
ACP13	112	275	130	165	86	22x19	58	12	4.4 (x2)	3.7



ACP34 PNEUMATIC ACTUATORS



Type	A (mm)	B (mm)	C (mm)	D (mm)	E (mm)	F (mm)	G DIN 5482 (mm)	H (mm)	K (mm)	ØL (mm)	Air Consumption (cycle)	Weight (kg)
ACP34	156	310	216	120	100	237	28x25	60	80	13	7.1 (X2)	10



ACPS PNEUMATIC ACTUATORS

The ACMS series manual levers are manufactured specifically for slide valves, providing a trouble-free and durable service life. Additionally, the ACPS series pneumatic actuators are designed for slide valves and come complete with pneumatic pistons and mounting elements.

For Standard Applications

Type	Suitable Valve	ØPneumatic Cylinder (mm)	Stroke (mm)
ACPS150.63	SV.150	63	140
ACPS200.63	SV.200	63	190
ACPS250.63	SV.250	63	240
ACPS300.63	SV.300	63	290
ACPS350.80	SV.350	80	340
ACPS400.80	SV.400	80	385

For Heavy Duty Applications

Type	Suitable Valve	ØPneumatic Cylinder (mm)	Stroke (mm)
ACPS150.80	SV.150	80	140
ACPS200.80	SV.200	80	190
ACPS250.80	SV.250	80	240
ACPS300.80	SV.300	80	290

For Extra-Heavy Duty Applications*

Type	Suitable Valve	ØPneumatic Cylinder (mm)	Stroke (mm)
ACPS300.100	SV.300	100	290
ACPS350.100	SV.350	100	340
ACPS400.100	SV.400	100	385

* Adaptor Required