

OZB BUTTERFLY VALVES

OZB butterfly valves play a crucial role in efficiently managing the flow of bulk solid materials within various industrial applications. Specifically engineered for applications such as silos, hoppers, weighing hoppers, and screw conveyors, these valves are essential components in handling and controlling the movement of materials in channels.



Single Flange BV1F Type Butterfly Valve

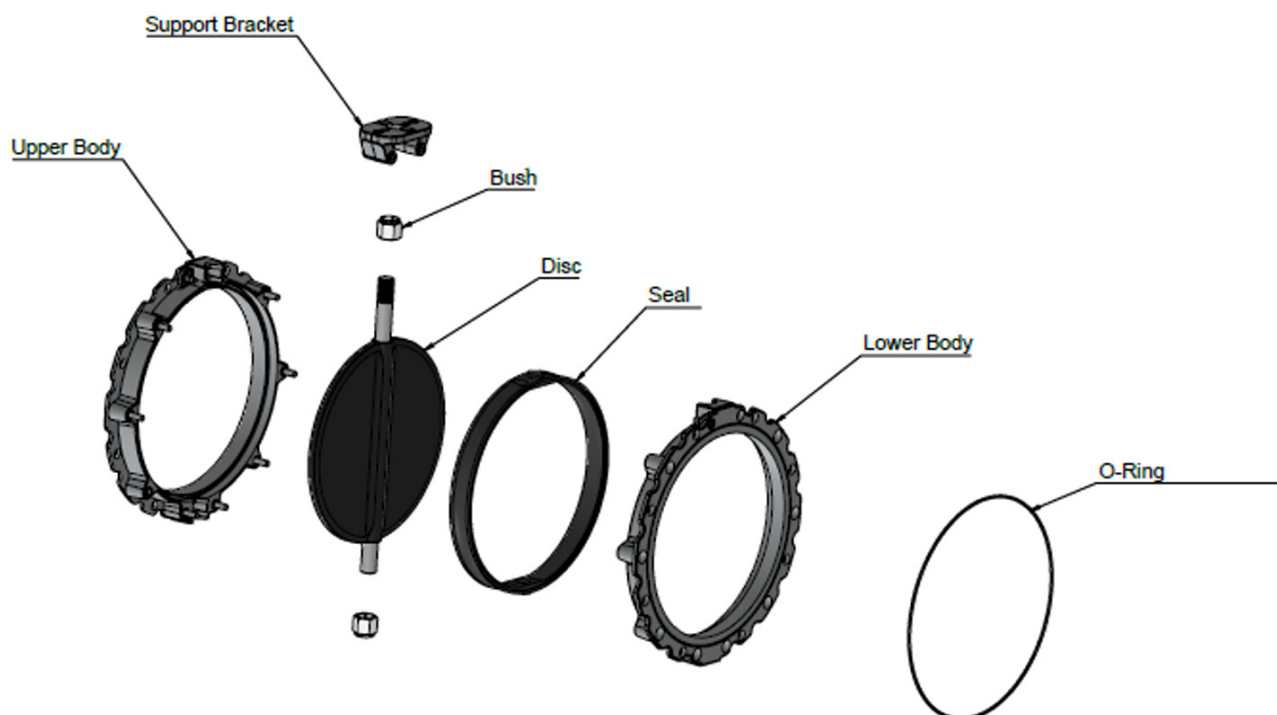
These valves come in two primary designs: single flange and double flange. Single flange butterfly valves are compatible with flexible bellows and similar connections, providing versatility in their usage. On the other hand, double flange butterfly valves feature identical upper and lower flanges, making them suitable for systems with fixed connections.

One distinctive feature of OZB butterfly valves is their patented o-ring channel and seal, ensuring maximum impermeability. This design enhances the efficiency and reliability of the valves, preventing leaks and maintaining a secure flow control system.

The valves are engineered to withstand a maximum working pressure of 0.2 bars, making them suitable for various industrial environments. Additionally, they exhibit a maximum working temperature of 120°C, allowing for the reliable handling of materials within a specified temperature range.

OZB butterfly valves offer a robust and versatile solution for industries requiring precise control over the discharge and flow of bulk solid materials in diverse applications.

COMPOSITIONS

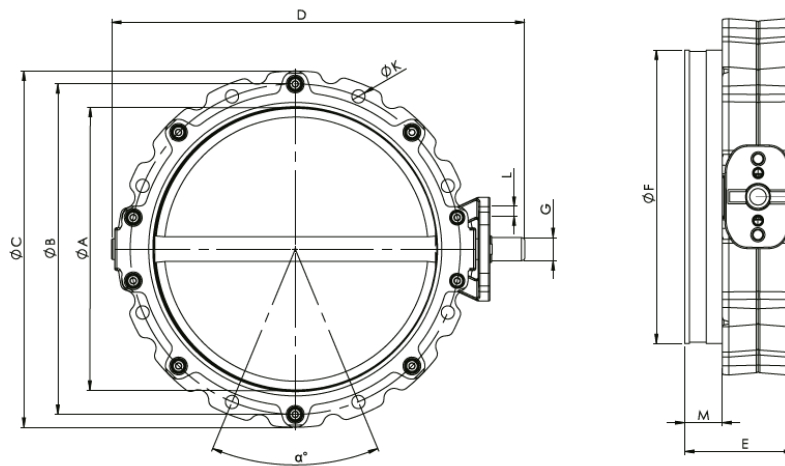


BV.F...NN

	BV.F...NN
Upper Body	Aluminium injection moulded alloy
Lower Body	Aluminium injection moulded alloy with o-ring channels
Disc	Complete disc shaft coated with EPDM
Seal	EPDM
Bush	Plastic
Support Bracket	Aluminium injection moulded alloy

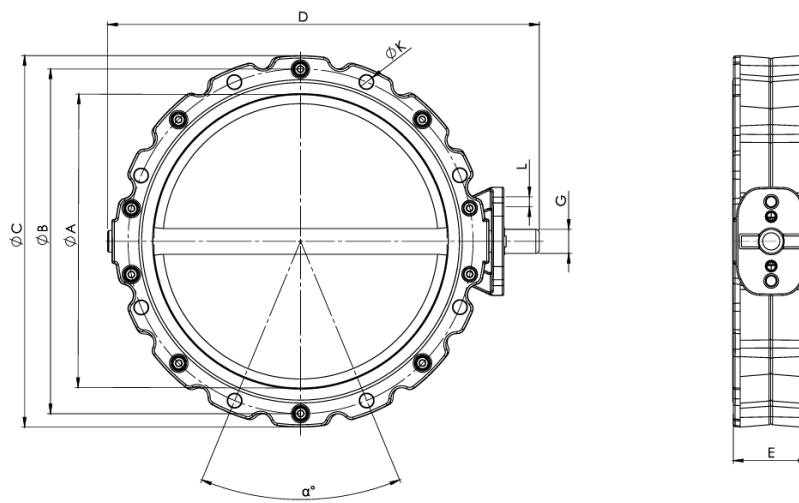
OVERALL DIMENSIONS

Single Flange BV1F Butterfly Valves



Type	ØA (mm)	ØB (mm)	ØC (mm)	D (mm)	E (mm)	ØF (mm)	M (mm)	ØK (mm)	L (mm)	α	G DIN 5482	Weight (kg)
BV1F100	100	180	214	250	115	105	38	4xØ14	M12	45°	22x19	4.0
BV1F150	150	200	225	286	115	163	40	4xØ14	M12	45°	22x19	4.1
BV1F200	200	250	278	336	115	213	40	4xØ14	M12	45°	22x19	5.5
BV1F250	250	300	328	386	115	263	40	8xØ14	M12	45°	22x19	7.1
BV1F300	300	350	378	437	115	313	40	8xØ14	M12	45°	22x19	9.2

Double Flange BV2F Butterfly Valves



Type	ØA (mm)	ØB (mm)	ØC (mm)	D (mm)	E (mm)	ØK (mm)	L (mm)	α	G DIN 5482	Weight (kg)
BV2F100	100	180	214	250	77	4xØ14	M12	90°	22x19	4.2
BV2F150	150	200	225	286	77	4xØ14	M12	90°	22x19	4.0
BV2F200	200	250	278	336	77	4xØ14	M12	90°	22x19	5.4
BV2F250	250	300	328	386	77	8xØ14	M12	45°	22x19	6.8
BV2F300	300	350	378	437	77	8xØ14	M12	45°	22x19	8.6