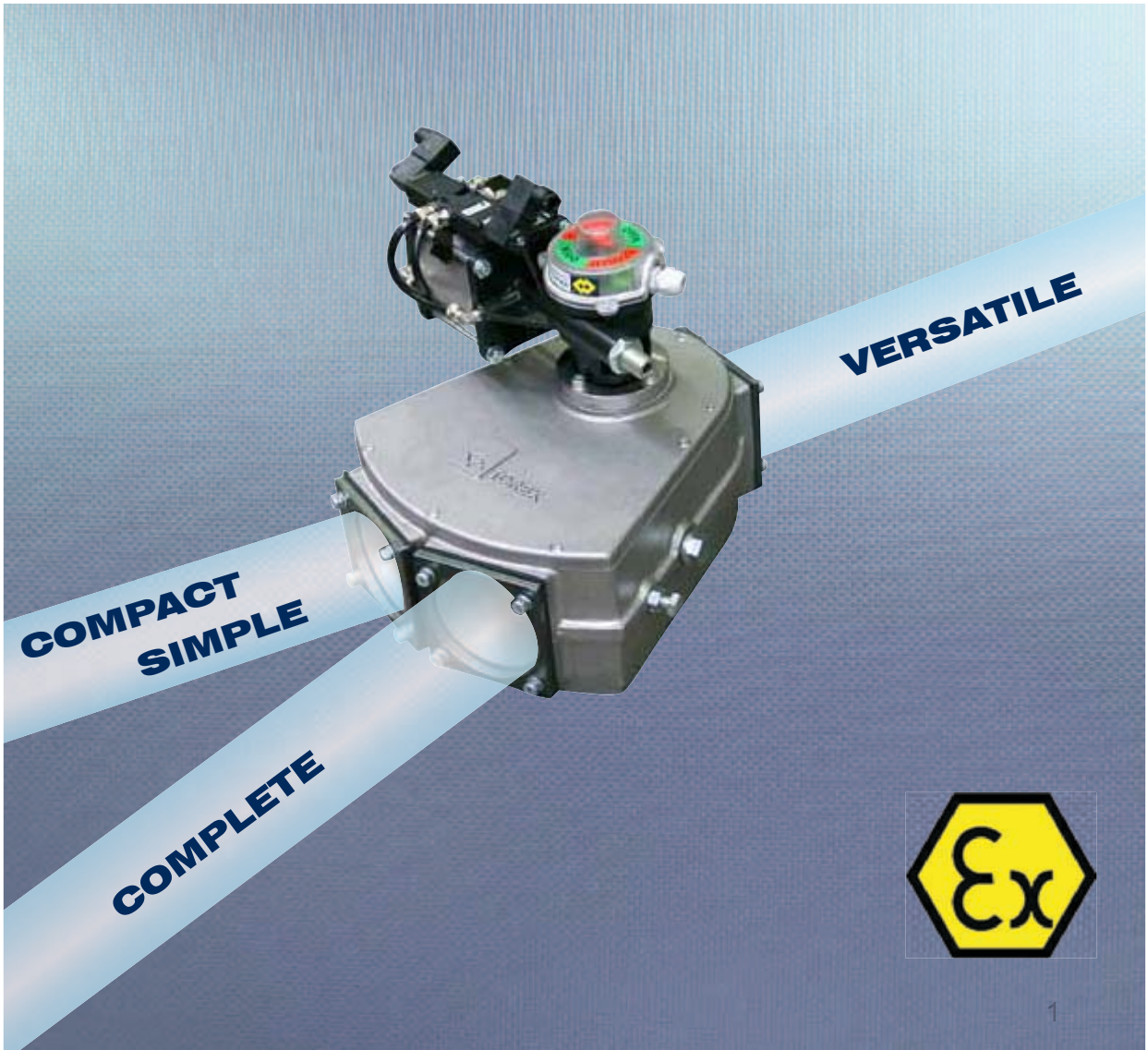


PNEUMATIC CONVEYING



Diverter Valves

VAD



Diverter Valves VAD

THE MOST COMPACT, SIMPLE AND VERSATILE DIVERTER VALVE AT A LOWER COST

Manufactured entirely in aluminium with the option of nickel-plating, the valve is activated either manually or by means of a pneumatic or an electric motor-operated actuator.

Activation of the actuator makes it possible to change the direction of the material flow.

Features

VALVE

- Cast aluminium alloy casing
- Various actuators in different voltages
- Low friction gaskets
- Operating temperature: - 20°C to 80°C (-4°F to 176° F)
- Operating pressure: max. 2.5 bar (36 PSI)
- Aluminium casting or nickel plated versions available both with ATEX certification for Group II Cat. 1D/3D c T 135°C on request

ACTUATOR

Pneumatic Actuator

- Voltage supply: 24 V AC, 24 V DC, 110 V AC, 230 V AC

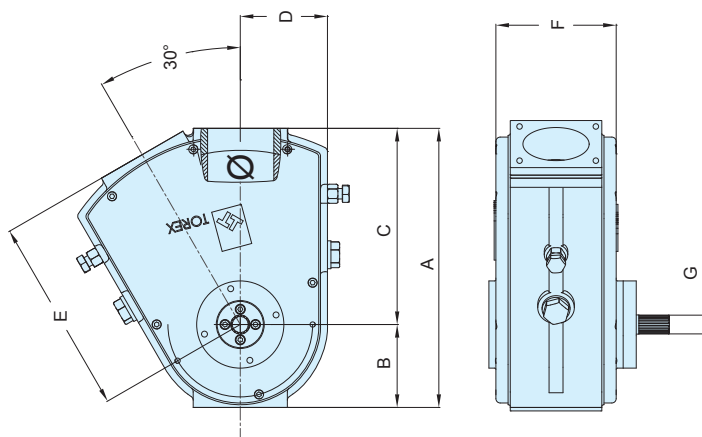
Electric Actuators

- Voltage supply: 230/400 V AC 50/60 Hz

Manual Actuator

- Manually operated

Overall Dimensions



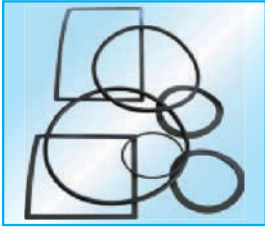
VAD	Ø	A	B	C	D	F	ACTUATOR CONNECTION
							G
50	45	245	75	170	80	122	CP101 - AE04011 - CM4
80	76	320	95	225	100	135	
100	96	345	105	240	110	155	

Dimensions in mm

Benefits

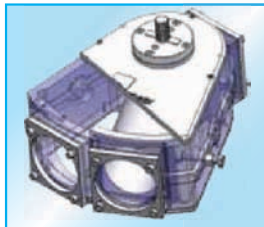
- ✓ **Lightweight and compact design**
- ✓ **Easy to install**
- ✓ **Maintenance-friendly**

1 Low friction gaskets

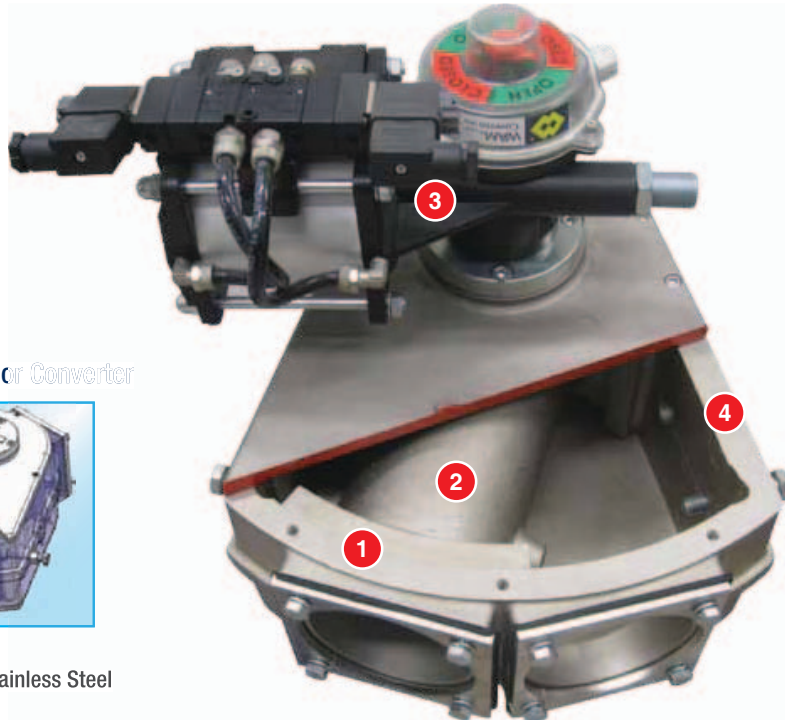


- Minimum pressure drop inside conveying duct

2 Adjustable and Easy to Use as Diverter or Converter



- Actuator assembly on both sides of the casing
- Square Counter-Flanges in carbon steel or 304 Stainless Steel as standard assures system compatibility



3 Various type of actuators



Pneumatic Actuator CP101
Operating Pressure: 2-7 bar



Electric Actuator AE40A11
Power: 0.18 kW
Protection: IP 55
Voltage: 50 Hz - 230/400 Volt



Manual Actuator CM4

4 Nickel Plated Version



- Increased resistance to corrosion
- Higher surface hardness
- Food Grade Nickel Coating available

Accessories

Inlet/Outlet Connection Pipes



- Zinc coated mild steel
- 304 Stainless Steel

Application



VAD Diverter Valves are suitable for handling any type of powdery or granular material in pneumatic conveying systems.