

Diverter Flap Valves

DVA

FLOW INTERCEPTION



Diverter Flap Valves
DVA

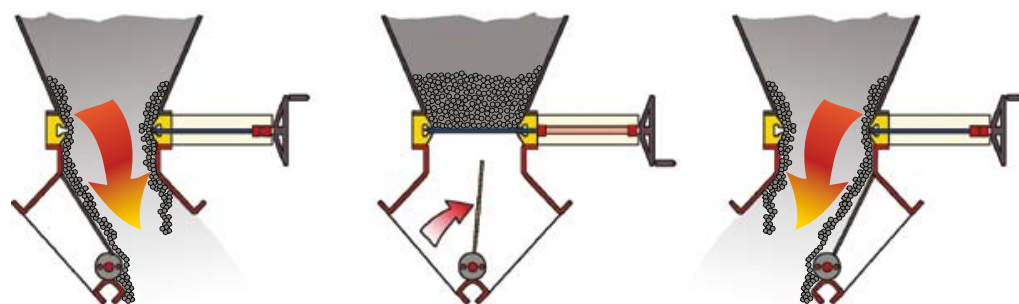
EFFICIENT FLOW DIVERSION OF POWDERS OR GRANULES

DVA-type Diverter Flap Valves consist of a casing made up of two high-pressure die-cast aluminium alloy semi-bodies lined with SINT® engineering polymer, and a flap coated with the same material. The valve is activated by a manual lever, or a pneumatic or electric actuator.

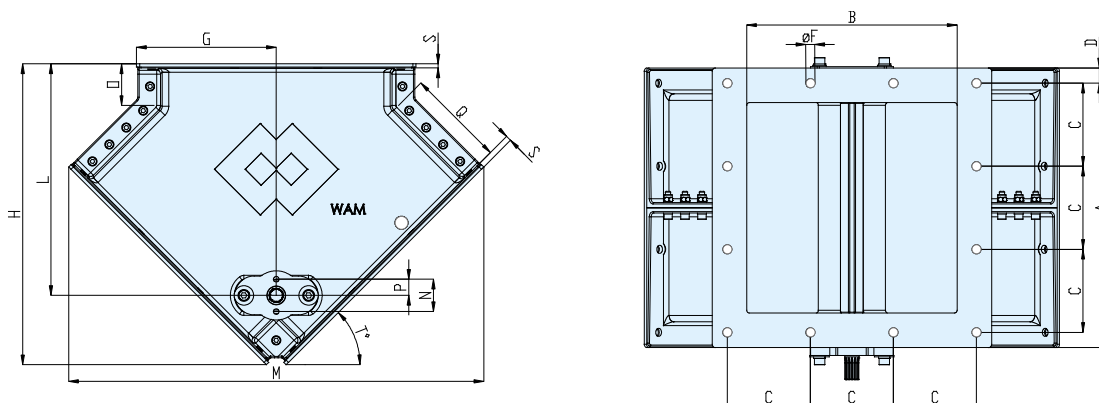
Powdery or granular material enters via the inlet on the top and, depending on the position of the flap, is passed on for further processing via one of the two outlets arranged at an oblique angle.

The polymer material used enables quick cleaning and maintenance and additionally offers high resistance to abrasion.

DVA Diverter Flap Valves ensure efficient flow diversion in a variety of industrial processes.



Overall Dimensions

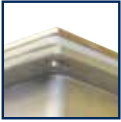


| CODE | A | B | C | D | ØF | G | H | L | M | N | O | P | Q | S | T | kg |
|---------|-----|-----|-----|----|----|-----|-----|-----|-----|----|----|----|-----|----|-----|----|
| DVA 150 | 260 | 175 | 115 | 15 | 14 | 130 | 312 | 221 | 399 | 50 | 65 | 25 | 100 | 10 | 45° | 13 |
| DVA 200 | 310 | 225 | 93 | 15 | 14 | 155 | 357 | 267 | 470 | 50 | 66 | 25 | 113 | 10 | 45° | 17 |
| DVA 250 | 360 | 275 | 110 | 15 | 14 | 180 | 403 | 312 | 538 | 50 | 66 | 25 | 125 | 10 | 45° | 21 |
| DVA 300 | 432 | 325 | 128 | 24 | 14 | 217 | 465 | 358 | 641 | 50 | 67 | 25 | 153 | 10 | 45° | 24 |

Dimensions in mm



Benefits



Dustproof sealing



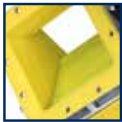
Excellent price-performance ratio



Highly flow-favourable and wear-resistant




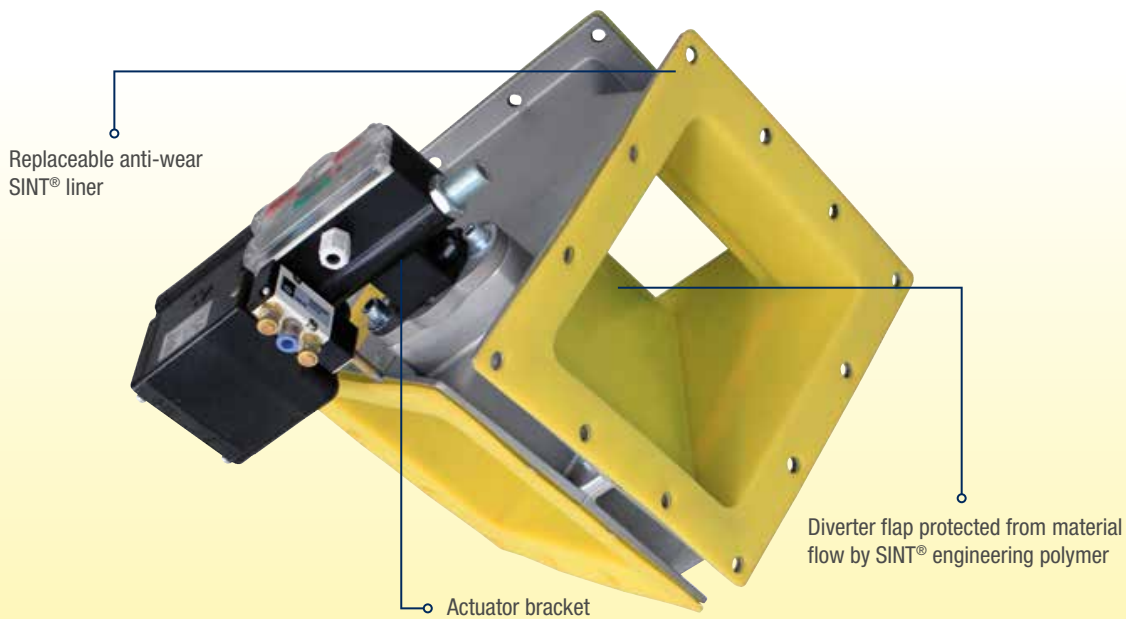
Minimised maintenance and easy access for parts replacement



Elastic outline of the SINT® flap guarantees material flow without particle breakdown, grinding or jamming

Technical Features

- Replaceable SINT® engineering polymer body liner
- Plastic on plastic contact between housing and flap ensuring dustproof sealing
- Hand lever, pneumatic or electric actuator
- Food-grade version on request 



Industries



Plastics Processing



Chemicals



Dry-Mix Processing



Glass Processing



Flour Milling

Application



ACTUATOR COMPATIBILITY

For further details refer to Technical Catalogue

