



PADDLE TYPE LEVEL INDICATORS

Discover Precision Level Monitoring with OZB Paddle Typer Level Indicators

KEY FEATURES

- Available in 24VAC, 110VAC, 230VAC and 24VDC options.
- Optional shafts up to 1000mm length for versatile applications.
- Special alloy Aluminium body for durability.
- Unique design driveline and casing for enhanced mechanical protection.
- Asynchronous electric motor and gear system for reliable performance.



Enhanced Mechanical Protection

OZB paddle type indicators are engineered with a special alloy Aluminium body, advanced driveline, and protective casing. These features increase mechanical protection, ensuring prolonged and efficient service life.

Intelligent Operation

A rotary flag, driven by an asynchronous electric motor and gear system, ensures precise and reliable level monitoring. The rotation is blocked in the presence of material at the unit's point, activating a microswitch. When the material ceases to exist at the specified point, the rotor starts to run, creating a corresponding signal.



ABN: 35 139 258 816

PO Box 111, Charlestown NSW 2290
Unit 7/8 Kilcoy Drive, Tomago NSW 2322
P: 1300 026 011 | E: graham@bulkquip.com.au
www.bulkquip.com.au

Paddle type level indicators are used across a broad range of industry for the level monitoring of powder and granular material stored in silos, hoppers and bins.

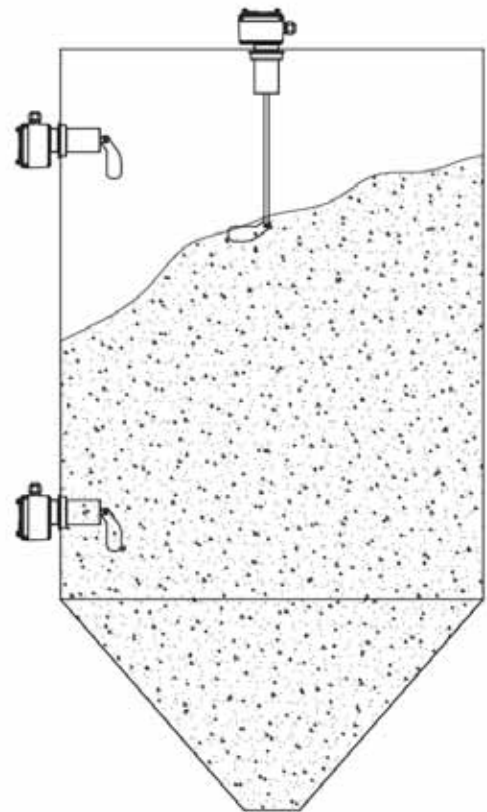
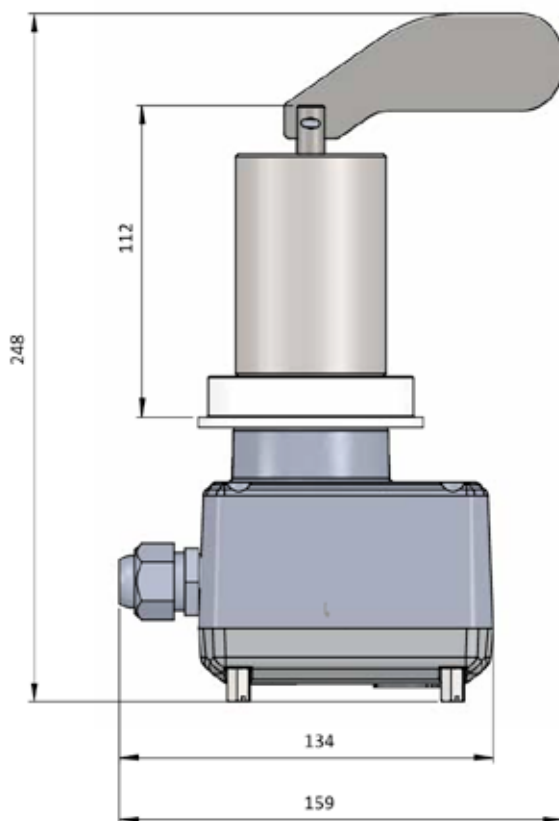
Versatility in Voltage

Choose from 24VAC, 110VAC, 230VAC, or 24VDC options to suit.

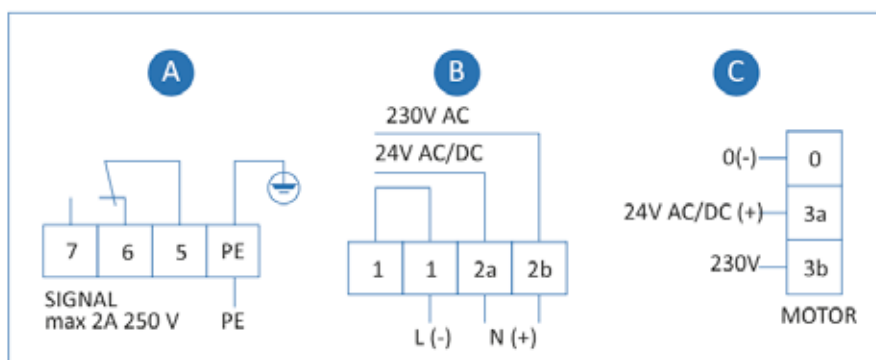
Optional Shaft Lengths

Tailor the indicator to your needs with optional shafts up to 1000mm in length, providing flexibility in installation and usage.

DIMENSIONS



ELECTRICAL CONNECTIONS



Type	Voltage
LP220AC	230 VAC
LP024AC	24 VAC
LP020DC	24 VDC

MECHANICAL PROPERTIES

Casing	Die Cast Aluminium
Protection Class	IP66 - EN80529
Connection Hub	Delrin
Connection Hub Size	G 1½" & G 2½"
Shaft & Paddle	Stainless Steel
Length Tolerance	±3mm
Dust Seal	Radial type on shaft
Coupling	Rubber
Sensitivity Adjustment	Sensitive adjustment with three positions
Shaft Speed	1-4 rpm
Weight	1.20kg

Ensure precision, reliability, and longevity in level monitoring with OZB Paddle Typer Level Indicators. Trust our advanced technology to meet the demands of diverse industries.